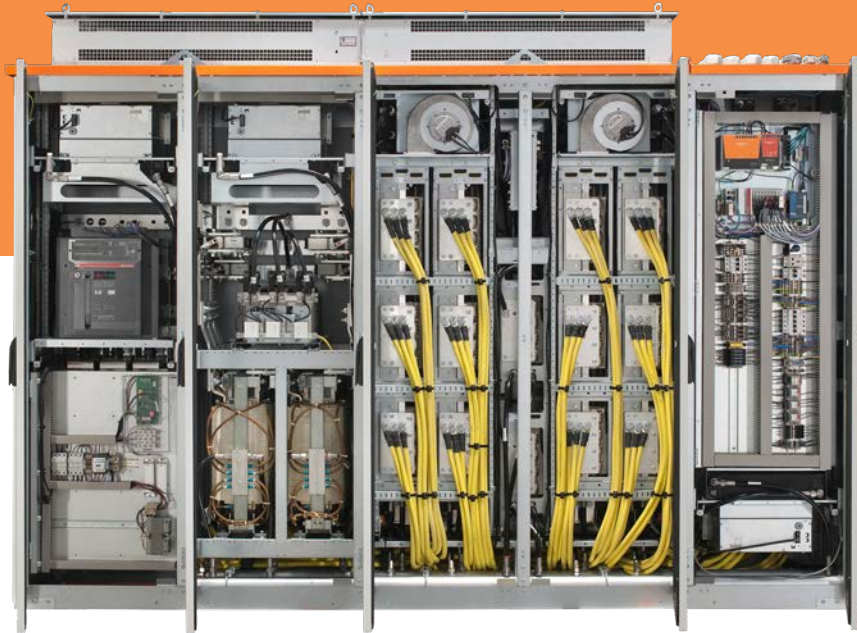




# FPC+ 1000 – 7000 kW



## Utility-grade electricity production

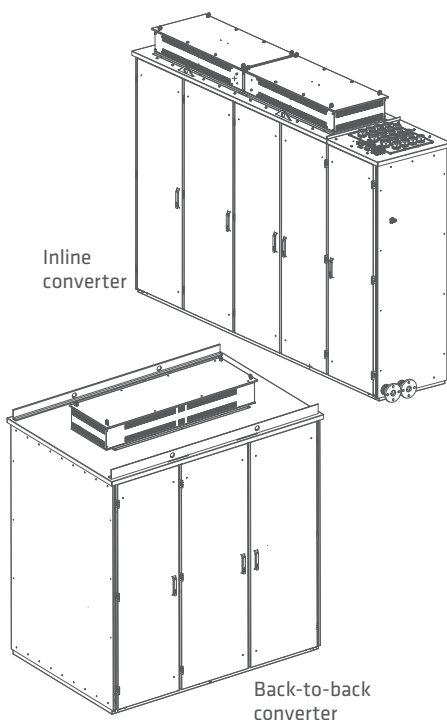
FPC+ is the new generation, full-power converter from The Switch. This concept builds on the experience of thousands of units delivered that are achieving solid performance. The affordable, state-of-the-art converter is optimized to work with permanent magnet and induction machines.

Designed for the highest level performance in electricity generation, this robust line of converters ensures future-proof electricity quality to meet the strict international requirements for harmonics, flicker and fault ride-through (FRT).

Optimal power flow control guarantees minimum losses and smooth load transitions. By reducing sensitivity to the network, FPC+ produces a seamless interaction with the grid despite the presence of severe disturbances. New micro-grid functionalities are also available to enhance the proven FRT.

Features	Advantages
Excellent grid performance	High-quality electricity production with FRT
High power density	Reduces number of panels needed
Compact size	Adaptable to match different applications
Versatile	Easy to configure: inline or back-to-back
Control system	User-friendly interface. Expandable design
Rugged IP54-class panel	Designed for harsh conditions and easy access

		FPC+ 1000	FPC+ 2000	FPC+ 2500	FPC+ 3000	FPC+ 4000	FPC+ 5000	FPC+ 6000	FPC+ 7000
Frame	Inline	1x22	1x31	1x31	3x22	2x31	2x31	3x31	3x31
	Back-to-back	-	1x19	1x19	1x24	2x19	2x19	2x24	3x19
Power class [MW]		1	2	2,5	3	4	5	6	7
Line current [A]		1050	2100	2600	3100	4150	5100	6200	6200
Generator current [A]		1100	2150	2650	3200	4200	5200	6300	6300
Weight [kg]	Inline	1700	2000	2000	3x1700	2x2000	2x2000	3x2000	3x2000
	Back-to-back	-	2500	2500	4000	2x2500	2x2500	2x4000	3x2500
Dimensions for one panel [mm]	Inline	W 2200 H 2009 D 726	W 3100 H 2009 D 726	W 3100 H 2009 D 726	W 2200 H 2009 D 726	W 3100 H 2009 D 726	W 3100 H 2009 D 726	W 3100 H 2009 D 726	W 3100 H 2009 D 726
	Back-to-back	- - -	W 1950 H 2061 D 1362	W 1950 H 2061 D 1362	W 2450 H 2086 D 1362	W 1950 H 2061 D 1362	W 1950 H 2061 D 1362	W 2450 H 2086 D 1362	W 1950 H 2086 D 1362
Nominal voltage		690 V							
Line frequency		50/60 Hz +/- 5 Hz							
Power factor range		0.9 cap – 0.86 ind, with rated active power and grid voltage							
Reactive power production		Field weakening control, voltage control, power factor							
Efficiency		97% at rated point							
Coolant temperature		Max. 45 °C with rated currents, 45–55°C with de-rated capacity							
Ingress protection class		IP54							
Grid harmonics		THD <5% or optionally <1.5%							
Dynamic electric brake		Standard DBU system							
FRT performance		Complies with all international standards							
Fieldbus connectivity		All industrial standards supported (Profbus DP, CANOpen, Modbus RTU, Modbus TCP/IP, EtherCat, Profinet, Interbus)							
Remote management		Yes							



### Technical drawing

The modular design allows full redundancy. Failure of one converter does not cause any downtime. The system continues operation at a lower power production rate.

